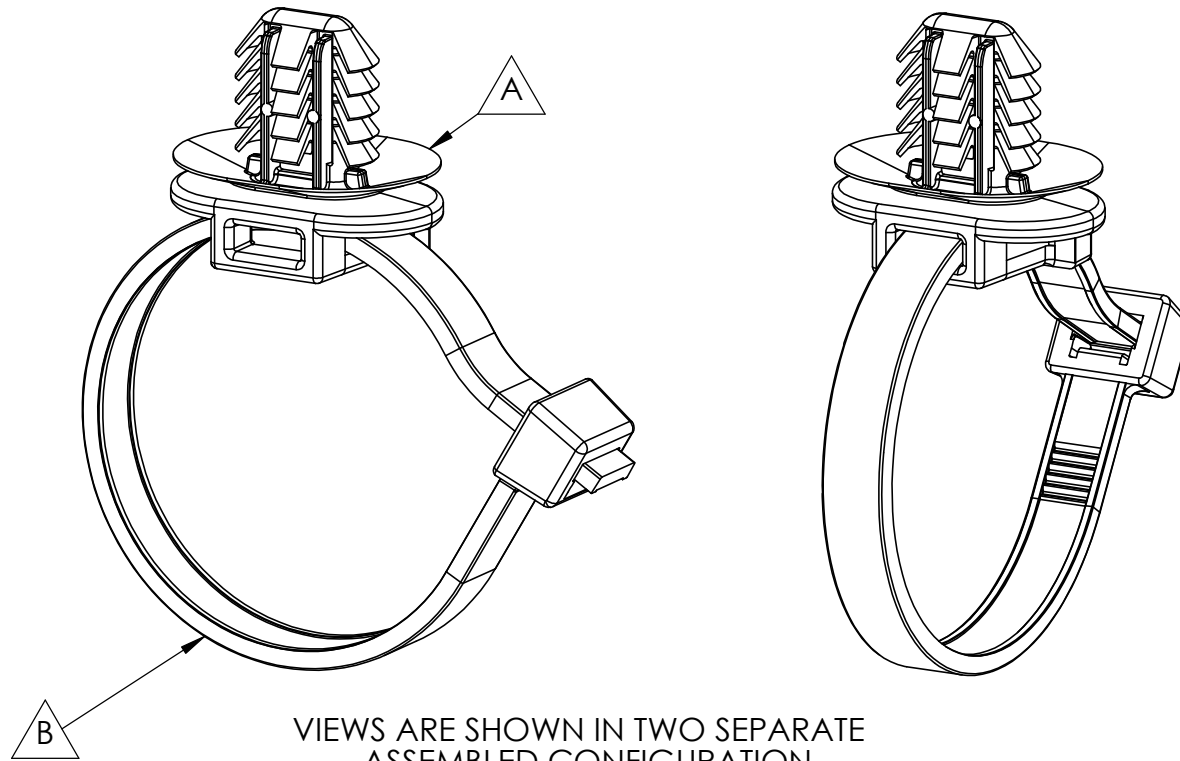


AVERY DENNISON MARKETING SPECIFICATION

© 2021 AVERY DENNISON CORPORATION. ALL RIGHTS RESERVED

HISTORY

REV.	DATE	DESCRIPTION
A	05.17.21	RELEASED



VIEWS ARE SHOWN IN TWO SEPARATE ASSEMBLED CONFIGURATION

NOTES:

1. SEE SPECIFIC OVAL FIR TREE CLIP AND CABLE TIE MARKETING SPECS FOR ADDITIONAL PART PERFORMANCE SPECIFICATIONS
2. OVAL FIR TREE CLIP MEETS ALL USCAR-44 SPECIFICATIONS
3. PARTS ARE NOT SOLD SEPARATELY AND ARE BOXED AS A KIT.
4. PARTS BOXED UNASSEMBLED.

ITEM#	SKU #	DESCRIPTION	MATERIAL	COLOR
A	20308-HHBN	OVAL FIR TREE CLIP, HD CT, HI HEAT	PA66 IMHS	BROWN
B	08403-HHBN	14.5" CABLE TIE, HD, HI HEAT	PA66 IMHS	BROWN

APPROVALS:	ENG. APPR.	<i>D. Gilbertson</i>	05.17.21
	Q.A. APPR.	<i>R. Estano</i>	05.17.21



FASTENER DIVISION
 FITCHBURG, MA 01420 U.S.A.
 TEL. 1-800-225-5913
 FAX. 978-353-8157

<u>SPECIFIED TOLERANCES ARE:</u>		MATERIAL	DESCRIPTION
.XX ± .03 INCHES	.X ± .7 mm	SEE TABLE	OVAL FIR TREE CLIP, 2 PIECE, HD CT, HI HEAT
.XXX ± .010 INCHES	.XX ± .25 mm	COLOR	STOCK NO.
ANGULAR: ± 2°		SEE TABLE	20297-HHBN

CLIP & CT ASSY WEIGHT:	6.5g
PACKAGING:	PACKED SEPARATELY IN ONE BOX 1000 CLIPS/BAG, 1/BOX 100 CT/BAG, 10/BOX

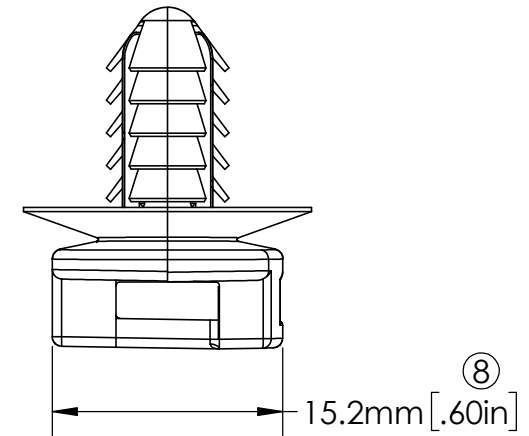
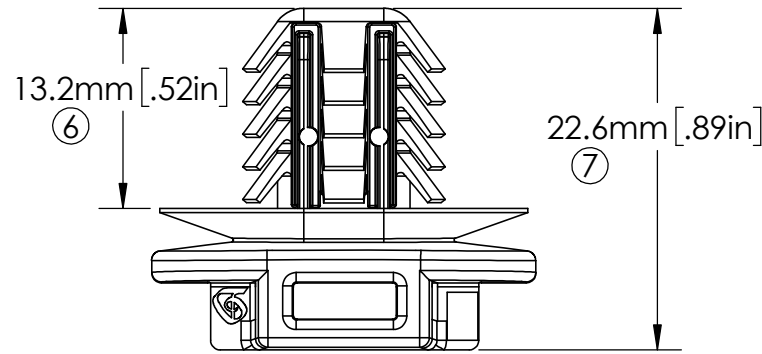
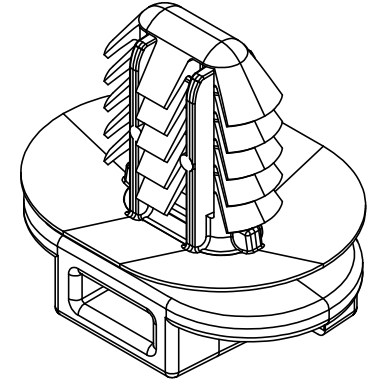
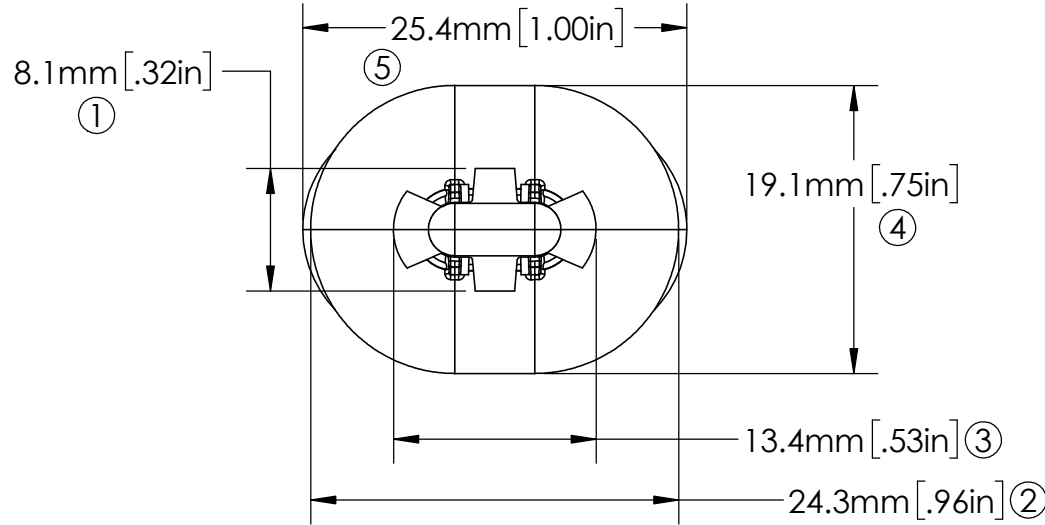
REV.	A
------	----------

AVERY DENNISON MARKETING SPECIFICATION

© 2021 AVERY DENNISON CORPORATION. ALL RIGHTS RESERVED

HISTORY


REV	DATE	DESCRIPTION
A	05.17.21	RELEASED



NOTES:

1. SPECIAL CHARACTERISTICS ARE DENOTED BY A Δ
2. OVAL FIR TREE CLIP MEETS ALL USCAR-44 SPECIFICATIONS

9

Δ FLAMMABILITY:	HB RATING PER FMVSS302	APPROVALS: ENG. APPR. <i>D. Gilbertson</i> 05.17.21 Q.A. APPR. <i>R. Estano</i> 05.17.21	 FASTENER DIVISION FITCHBURG, MA 01420 U.S.A. TEL. 1-800-225-5913 FAX. 978-353-8157
MOUNTING:	6.2mm X 12.2mm ; 6.5mm X 12.5mm 6.5mm X 13.0mm; 7.0mm X 12.0mm THICKNESS OF 0.6mm TO 7.0mm		
INSERTION:	10lbf / 44.5N MAX	SPECIFIED TOLERANCES ARE: .XX \pm .03 INCHES .X \pm .7 mm .XXX \pm .010 INCHES .XX \pm .25 mm ANGULAR: \pm 2°	DESCRIPTION OVAL FIR TREE CLIP, HD, HI HEAT
EXTRACTION:	NOM. FORCES: >40lbf / 178N MIN		
OPERATING TEMP RANGE:	-40°F (-40°C) TO 302°F (150°C) CONTINUOUS AND 329°F (165°C) AT MAXIMUM EXPOSURE	MATERIAL	PA66, IMHS
OVAL FIR TREE CLIP WGT:	2.1g	COLOR	BROWN
PACKAGING:	1000 CLIPS/BAG, 1/BOX	STOCK NO.	20308-HHBN
		REV.	A

5

↑

4

3

2

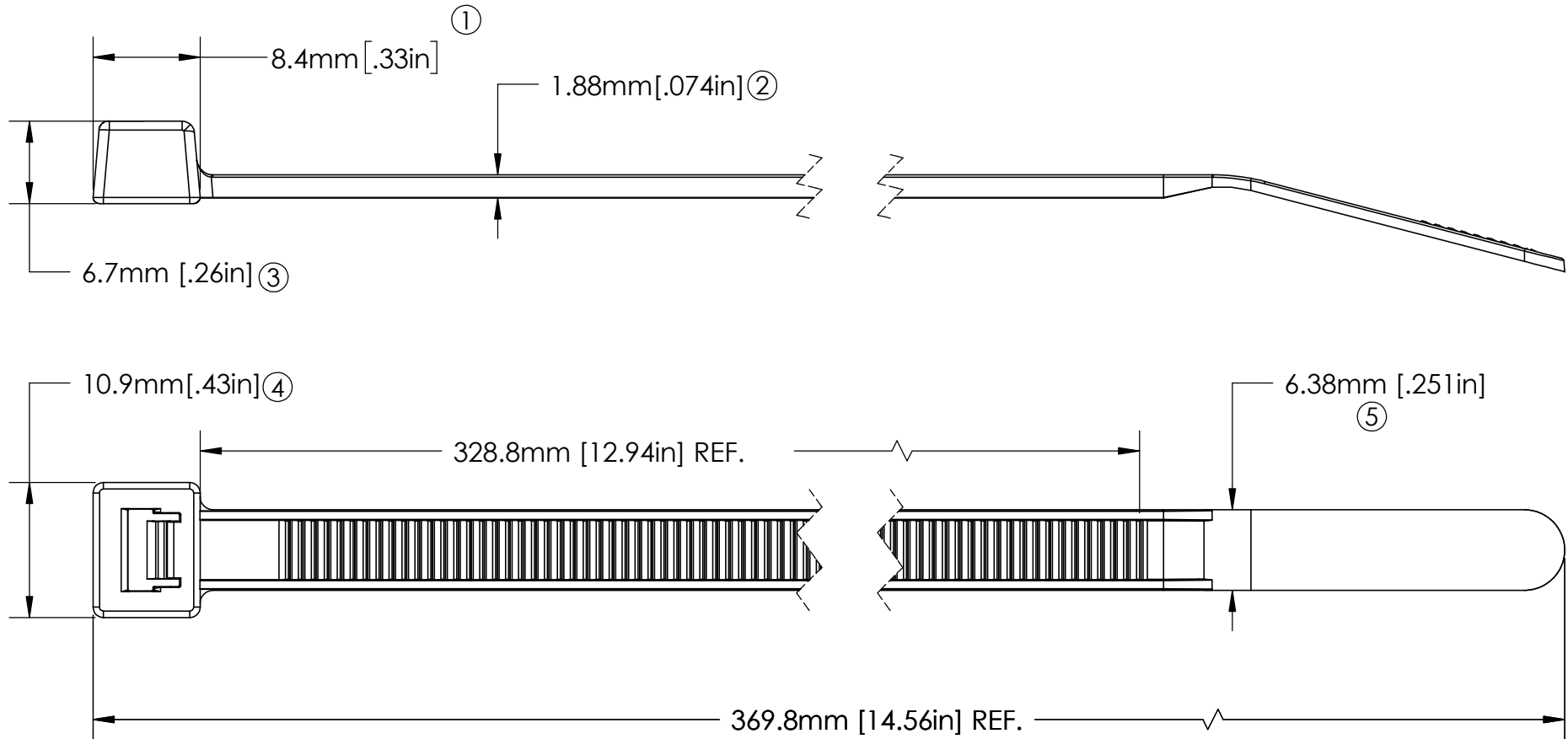
1

AVERY DENNISON MARKETING SPECIFICATION

© 2021 AVERY DENNISON CORPORATION. ALL RIGHTS RESERVED

HISTORY

REV	DATE	DESCRIPTION
A	05.17.21	RELEASED



NOTES:

1. SPECIAL CHARACTERISTICS ARE DENOTED BY A Δ

6
7

Δ FLAMMABILITY:	HB RATED PER FMVSS302
Δ TENSILE STRENGTH:	445N/ 100lbf MIN.
OPERATING TEMP RANGE:	-40 °F (-40 °C) TO 302 °F (150 °C) CONTINUOUS AND 329 °F (165 °C) AT MAXIMUM EXPOSURE
WEIGHT:	4.4g
BUNDLE DIAMETER:	ϕ 4.7mm TO ϕ 101.6mm
TOOL:	12001 - HAND TOOL 12500 - PNEUMATIC TOOL
TOOL TENSION SETTING:	6 - 8 HEAVY DUTY TOOL
PACKAGING:	100/BAG, 1000/CASE

APPROVALS:

ENG. APPR.	<i>D. Gilbertson</i>	05.17.21
Q.A. APPR.	<i>R. Estano</i>	05.17.21

SPECIFIED TOLERANCES ARE:

.XX \pm .03 INCHES	.X \pm .7 mm
.XXX \pm .010 INCHES	.XX \pm .25 mm
ANGULAR: \pm 2°	

MATERIAL

NYLON66, IMHS

COLOR

BROWN



FASTENER DIVISION
FITCHBURG, MA 01420 U.S.A.
TEL. 1-800-225-5913
FAX. 978-353-8157

DESCRIPTION

14.5" CABLE TIE, HD, HI HEAT

STOCK NO.

08403-HHBN

REV.

A

5

4

3

2

1